

## 2.5G/5G BASE-T MAGNETICS MODULES

---

### 5GYT003

#### Features:

- Compliant with IEEE 802.3 standard
- RoHS peak reflow temperature rating: 260°C
- Operating temperature 0°C to +70°C
- Low profile package for PCI Express
- Minimum interwinding breakdown voltage of 1500Vrms

#### Electrical Specifications @ 25°C

Insertion loss: 1-50 MHz -0.5 dB MAX  
50-125 MHz -1.0 dB MAX

#### Return Loss:

(Z OUT = 100 OHM  $\pm$  1% )

1 MHz-40 MHz -20dB MIN  
40-200 MHz  $-20+15*\text{LOG}_{10}(f/40)$  dB MIN

Crosstalk : 1-125 MHz -30 dB MIN

Common mode rejection ratio: 30MHz-200 MHz -30 dB MIN

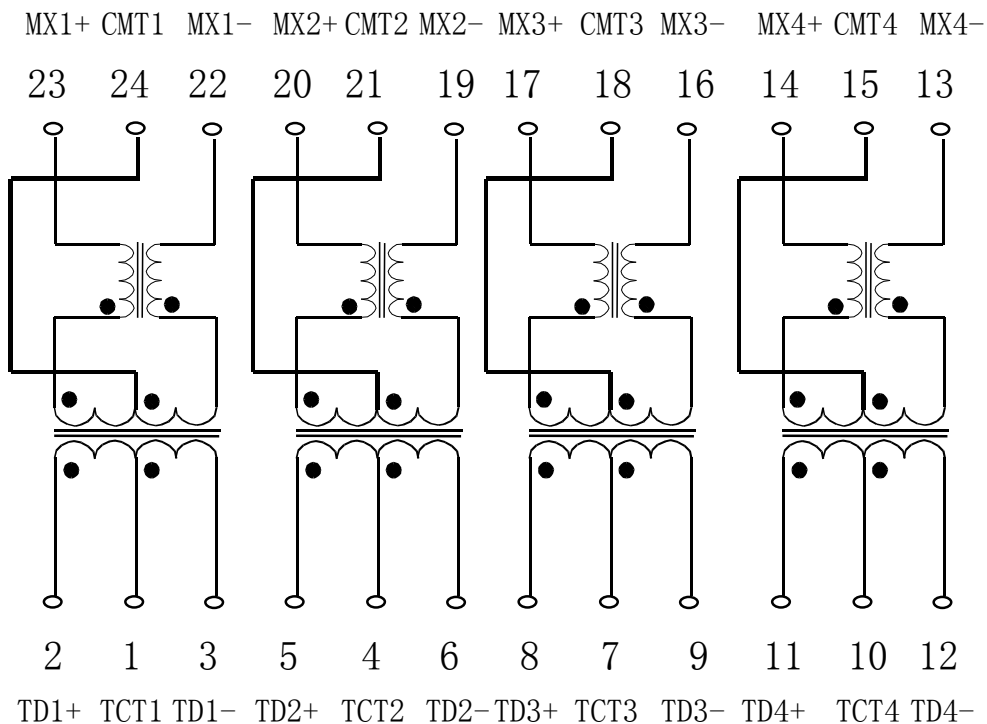
#### Common to differential mode rejection:

1MHz-30 MHz -48 dB MIN  
30MHz-125 MHz  $-(44-19.2 \text{ LOG}_{10}(f/50))$  dB MIN

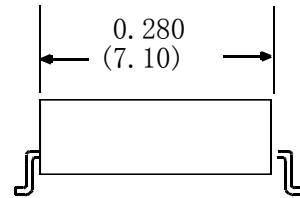
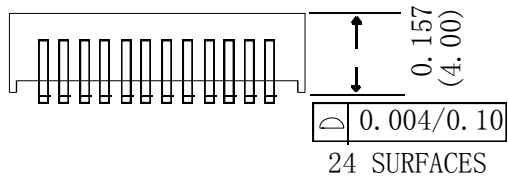
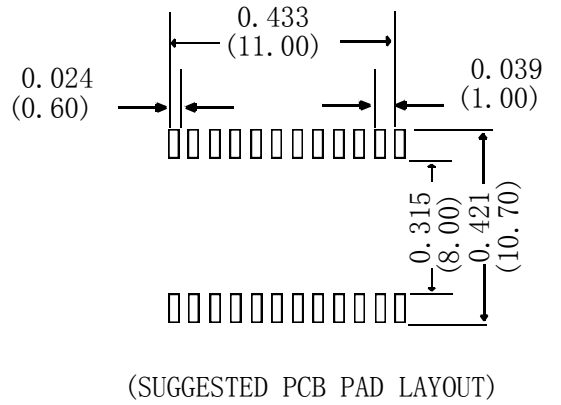
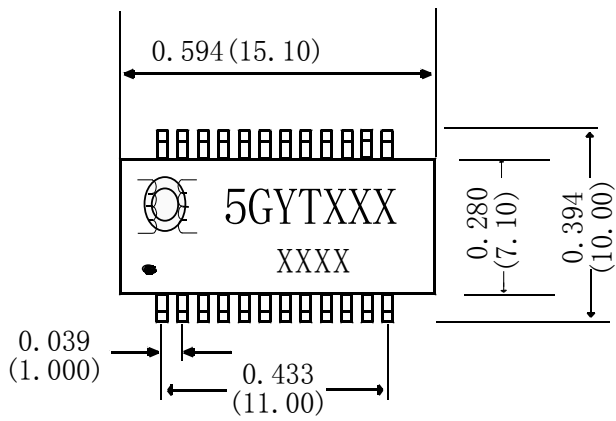
Note: f is frequency in MH

#### Schematics

---



## Mechanicals



**NOTE: Dimensions: inches/(mm) unless otherwise specified all tolerances are  $\pm 0.010(0.25)$**